

MCO Home

MCO Home Glass Touch Switch GEN5 (1 Button)

SKU: MCOETPS411



Quickstart

This is a **On/Off Power Switch** for **Europe**. To run this device please connect it to your mains power supply. **A** This device is a Z-Wave Actuator. To include or exclude the device you only need to press and hold any key for 8 seconds.

What is Z-Wave?

Z-Wave is the international wireless protocol for communication in the Smart Home. This device is suited for use in the region mentioned in the Quickstart section. (For more information about frequency regulations please refer to [the frequency coverage overview at Sigma Designs Website](#)).

Z-Wave ensures a reliable communication by reconfirming every message (**two-way communication**) and every mains powered node can act as a repeater for other nodes (**meshed network**) in case the receiver is not in direct wireless range of the transmitter.

This device and every other certified Z-Wave device can be **used together with any other certified Z-Wave device regardless of brand and origin** as long as both are suited for the same frequency range.

If a device supports **secure communication** it will communicate with other devices secure as long as this device provides the same or a higher level of security. Otherwise it will automatically turn into a lower level of security to maintain backward compatibility.

For more information about Z-Wave technology, devices, white papers etc. please refer to www.z-wave.info.



Product Description

The TPS411 by MCO Home is a wall switch with integrated switch relay. The relay can be controlled both with the touch switch, which is integrated into the glass surface, and via Z-Wave commands. The relay can switch a load with up to 1,100 watts. Beside local switching the device can be used to control two groups of directly associated devices. A blue LED on every button indicates the switching status.

The wall switch can be easily connected to an electrical load without installing a flush mounted module separately. The relay is located inside a module which is directly connected to the glass touch button. With that MCO Home wall switch you can replace any switch insert or toggle switch. The wall switch can be mounted on any flush box.

With the stylish glass wall switches by MCO Home you can easily integrate your already installed lights into your home automation network. Without installing any news cable, you can switch your lighting as usual via wall switch – but thanks to Z-Wave technology also via remote control, smartphone or sensor-controlled automation.

Prepare for Installation / Reset

Please read the user manual before installing the product.

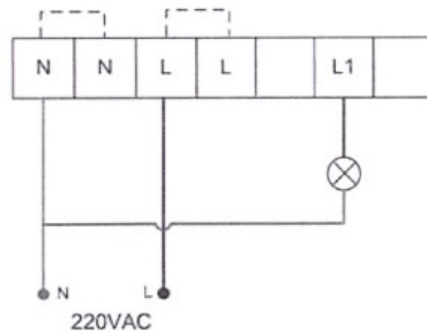
In order to include (add) a Z-Wave device to a network it **must be in factory default state**. Please make sure to reset the device into factory default. You can do this by performing an Exclusion operation as described below in the manual. Every Z-Wave controller is able to perform this operation however it is recommended to use the primary controller of the previous network to make sure the very device is excluded properly from this network.

Safety Warning for Mains Powered Devices

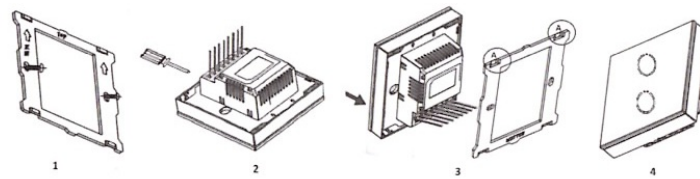
ATTENTION: only authorized technicians under consideration of the country-specific installation guidelines/norms may do works with mains power. Prior to the assembly of the product, the voltage network has to be switched off and ensured against re-switching.

Installation

Important: Please make sure you have cut off power supply before you start to install the device.



- Connect Hot Line to "L"
- Connect Neutral Line to "N"
- Connect Load wire to "L1"



1. Remove the steel frame from the device, and secure it onto the junctions box with two screws.
2. Insert all wires into the right terminals and tighten screws.
3. Attach the wired device on "A" points of the steel frame as shown first, and then push the whole device into junction box.
4. Confirm the device is well mounted, power on and it is ready to operate.

Inclusion/Exclusion

On factory default the device does not belong to any Z-Wave network. The device needs to be **added to an existing wireless network** to communicate with the devices of this network. This process is called **Inclusion**.

Devices can also be removed from a network. This process is called **Exclusion**. Both processes are initiated by the primary controller of the Z-Wave network. This controller is turned into exclusion respective inclusion mode. Inclusion and Exclusion is then performed doing a special manual action right on the device.

Inclusion

To include the device you only need to press and hold any key for 8 seconds.

Exclusion

To exclude the device you only need to press and hold any key for 8 seconds.

Product Usage

The actuator is operated by the local switching Touch pannels or wirelessly using Z-Wave commands.

Scene Function:

1. Scene Response Device

As a Scene Response device, it supports "Scene Activation CC" and "Scene Actuator Conf CC", which make the device can be added into any scene, and supports 255 Scene ID. In parameter item 0x10, users can configure which external switch button will respond the scene CC.

2. Scene Activate Device

As a Scene Activate device, when pressing the switch button, it will send "Scene Activation" to Association Group 1 (normally associated to the gateway) to activate corresponding scenes, and the scene ID is set by configuration parameter. This function is disabled by default, to activate it, please refer to the configuration parameter table item 17-19.

3. Central Scene Activate Device

As a Central Scene Activate device, it supports "Central Scene CC". When pressing the switch button, it will send "Central Scene Notification" to Association Group 1 (normally associated to gateway). This function is always being activated and cannot be disabled.

Quick trouble shooting

Here are a few hints for network installation if things dont work as expected.

1. Make sure a device is in factory reset state before including. In doubt exclude before include.
2. If inclusion still fails, check if both devices use the same frequency.

3. Remove all dead devices from associations. Otherwise you will see severe delays.
4. Never use sleeping battery devices without a central controller.
5. Dont poll FLIRS devices.
6. Make sure to have enough mains powered device to benefit from the meshing

Association - one device controls an other device

Z-Wave devices control other Z-Wave devices. The relationship between one device controlling another device is called association. In order to control a different device, the controlling device needs to maintain a list of devices that will receive controlling commands. These lists are called association groups and they are always related to certain events (e.g. button pressed, sensor triggers, ...). In case the event happens all devices stored in the respective association group will receive the same wireless command wireless command, typically a 'Basic Set' Command.

Association Groups:

Group Number	Maximum Nodes	Description
1	1	Lifeline
2	5	Associate with Key 1 - send Basic Set Command to associated devices

Configuration Parameters

Z-Wave products are supposed to work out of the box after inclusion, however certain configuration can adapt the function better to user needs or unlock further enhanced features.

IMPORTANT: Controllers may only allow configuring signed values. In order to set values in the range 128 ... 255 the value sent in the application shall be the desired value minus 256. For example: To set a parameter to 200 it may be needed to set a value of 200 minus 256 = minus 56. In case of a two byte value the same logic applies: Values greater than 32768 may needed to be given as negative values too.

Parameter 2: Switch state saved or not when power failure

Size: 1 Byte, Default Value: 1

Setting	Description
0	not saved switch will be off when powered again
1	saved switch will keep the same state when powered again

Parameter 3: ALL ON/ALL OFF

Size: 1 Byte, Default Value: 255

Setting	Description
0	forbid ALL ON, forbid ALL OFF
1	forbid ALL ON, allow ALL OFF
2	allow ALL ON, forbid ALL OFF
255	allow ALL ON, allow ALL OFF

Parameter 4: LED Backlit brightness level

Size: 1 Byte, Default Value: 10

Setting	Description
0	LED disabled
1 - 10	Min level-Max level

Parameter 5: Key Mode

This function works for corridor or stairwell situation.

Size: 1 Byte, Default Value: 0

Setting	Description
0	single click to switch on/off status
1	Key default as off state. When it is turned on, then it will be turned off automatically after a time period , which can be set in item 6
2	Key default as on state. When it is turned off, then it will be turned on automatically after a time period , which can be set in item 6
3	hold >3s then key is on, and off once released
4	single click to switch on/off status + hold >3s then key is on, and off once released

Parameter 6: Key On duration

Size: 2 Byte, Default Value: 0

Setting	Description
0	infinite
1 - 65535	unit sec

Parameter 8: Basic CC integration setting*This parameter works for integration with different gateways/systems. If do not know how to use, pls keep as default.*

Size: 1 Byte, Default Value: 0

Setting	Description
0	Basic Set received key 1 responds; Basic Get received key 1 sends Basic Report; key 1 will not send unsolicited Basic Report to LifeLine Association
1	Basic Set received key 1 responds; Basic Get received key 1 sends Basic Report; key 1 will send unsolicited Basic Report to LifeLine Association
2	Basic Set received all keys respond; Basic Get received not reply Basic Report; All keys will not send unsolicited Basic Report to LifeLine Association
3	Basic Set received all keys respond; Basic Get received key 1 sends Basic Report; All keys will not send unsolicited Basic Report to LifeLine Association

Parameter 16: Scene respond

Size: 1 Byte, Default Value: 0

Setting	Description
0	Scene respond disabled
1	Key1 respond scene

Parameter 17: Key1 Scene Activate Mode Setting

Size: 1 Byte, Default Value: 0

Setting	Description
0	Scene activate function disabled
1	One click key1 always activate scene ID1 no matter what the status of key1 is.
2	One click key1,only activate scene ID1 when key1's relay output is open
3	One click key1,only activate scene ID1 when key1's relay output is close

Parameter 18: Key1 Activate Scene ID

Size: 1 Byte, Default Value: 00

Setting	Description
0	Scene ID is invalid and will not send scene activate command.
1 - 255	Scene ID

Parameter 19: Key1 Activate Scene Duration

Size: 1 Byte, Default Value: 0

Setting	Description
0	Instantly
1 - 127	Dimming durations from 1 second to 127 seconds in 1-second resolution
128 - 254	Specify dimming durations from 1 minute to 127 minutes in 1-minute resolution.

Parameter 255: Factory Reset

Size: 1 Byte, Default Value: 0

Setting	Description
---------	-------------

Technical Data

Dimensions	86 x 86 x 39 mm
Weight	180 gr
Hardware Platform	ZM5101
EAN	4251295700762
IP Class	IP 20
Voltage	230 images/manufacturers/MCO_Home.png
Load	5A
Device Type	On/Off Power Switch
Generic Device Class	Binary Switch
Specific Device Class	Binary Power Switch
Firmware Version	05.02
Z-Wave Version	04.3e
Z-Wave Product Id	0x015f.0x4111.0x5102

Supported Command Classes

- Basic
- Switch Binary
- Switch All
- Scene Activation
- Scene Actuator Conf
- Association Grp Info
- Device Reset Locally
- Central Scene
- Zwaveplus Info
- Multi Channel
- Configuration
- Manufacturer Specific
- Powerlevel
- Firmware Update Md
- Association
- Version
- Multi Channel Association
- Switch Multilevel
- Transport Service

Controlled Command Classes

- Basic
- Central Scene
- Switch Multilevel
- Transport Service

Explanation of Z-Wave specific terms

- **Controller** — is a Z-Wave device with capabilities to manage the network. Controllers are typically Gateways, Remote Controls or battery operated

wall controllers.

- **Slave** — is a Z-Wave device without capabilities to manage the network. Slaves can be sensors, actuators and even remote controls.
- **Primary Controller** — is the central organizer of the network. It must be a controller. There can be only one primary controller in a Z-Wave network.
- **Inclusion** — is the process of adding new Z-Wave devices into a network.
- **Exclusion** — is the process of removing Z-Wave devices from the network.
- **Association** — is a control relationship between a controlling device and a controlled device.
- **Wakeup Notification** — is a special wireless message issued by a Z-Wave device to announce that it is able to communicate.
- **Node Information Frame** — is a special wireless message issued by a Z-Wave device to announce its capabilities and functions.